

ERF4011, GPS antenna, RG174 cable(1m), SMA Male connector

Features

Electrical Properties

Parameter:	Description
Frequency Band:	1,6 GHz
Nominal Impedance:	50 Ω
Polarization:	Linear
V.S.W.R:	< 3.0



Mechanical Properties

Parameter:	Description
Antenna Type:	External Antenna
Touch Type:	Screw Type
Connector Type:	SMA (Male)
Antenna Dimensions:	34.3 * 39.4 * 12.6 mm
Antenna Color:	Black
Operating Temperature Range:	-20°C~+60°C
Storage Temperature Range:	-30°C~+70°C
Cable Type:	RG174
Cable length:	±1 m

Typical applications

- GPS
- GLONASS
- Satellite phones

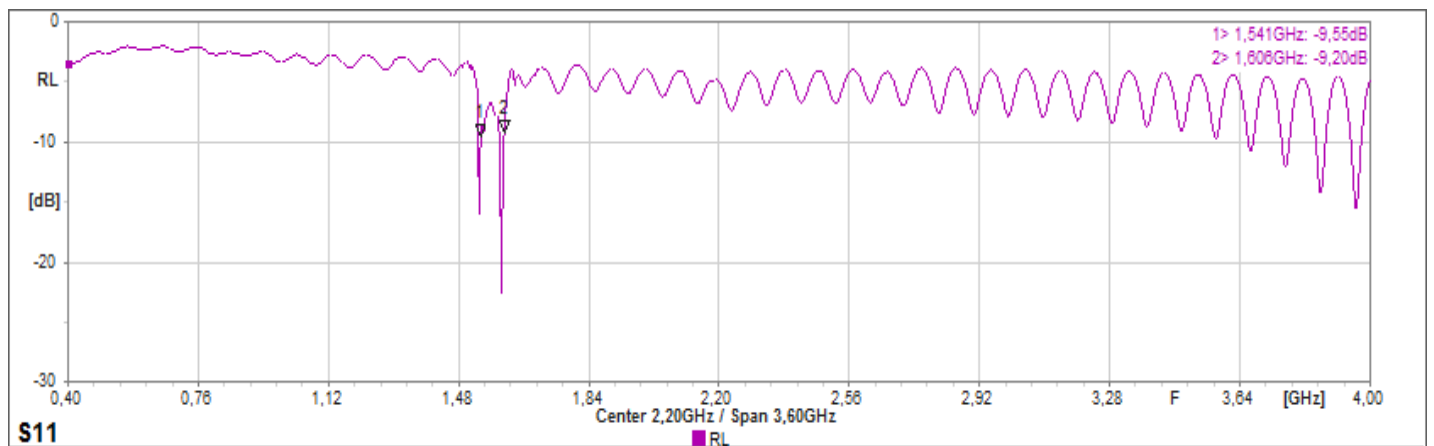
Description

The ERF4011 Antenna is a black 1,6 GHz GPS antenna with a RG174 cable attached and SMA (Male) connector. The RG174 cable enables it to be placed and positioned at its most suitable position. The RG174 cable has a total length of ± 1 meter. The antenna can be used for applications , such as GPS and GLONASS.

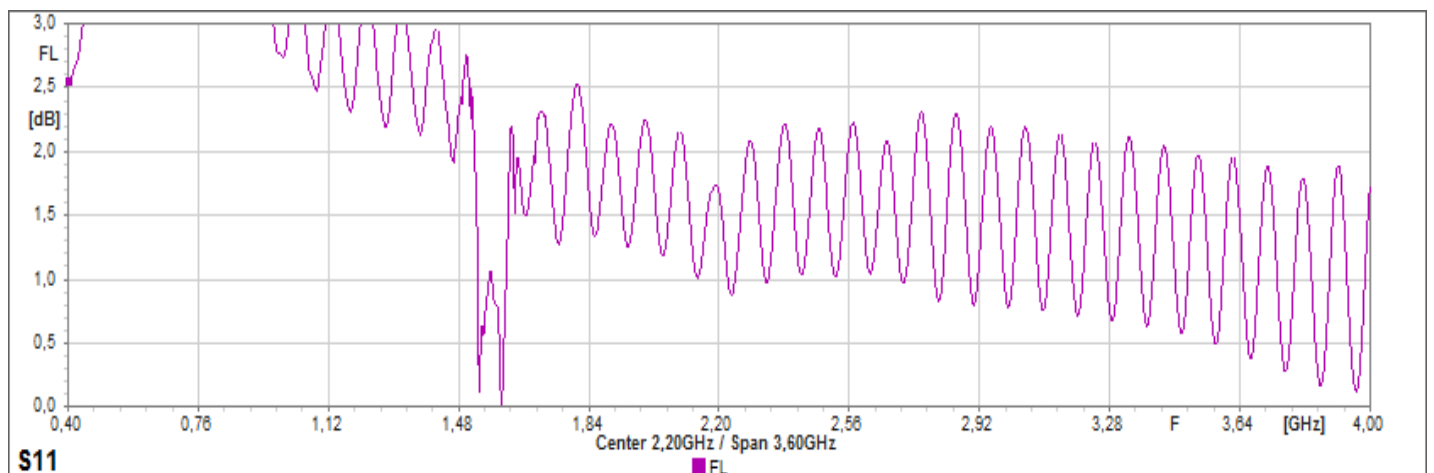
ERF4011, GPS antenna, RG174 cable(1m), SMA Male connector

Antenna Properties

Return Loss

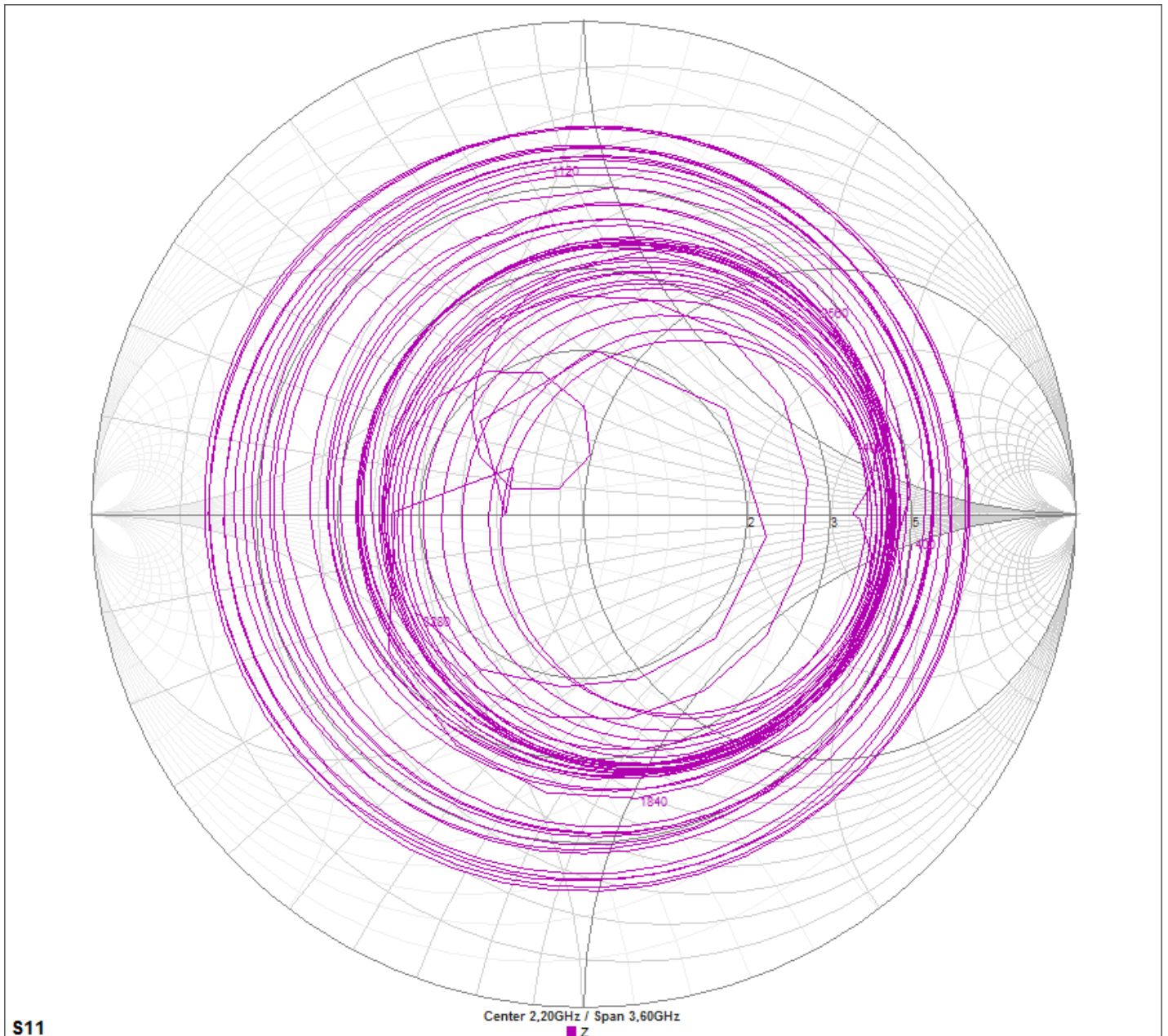


Forward Loss



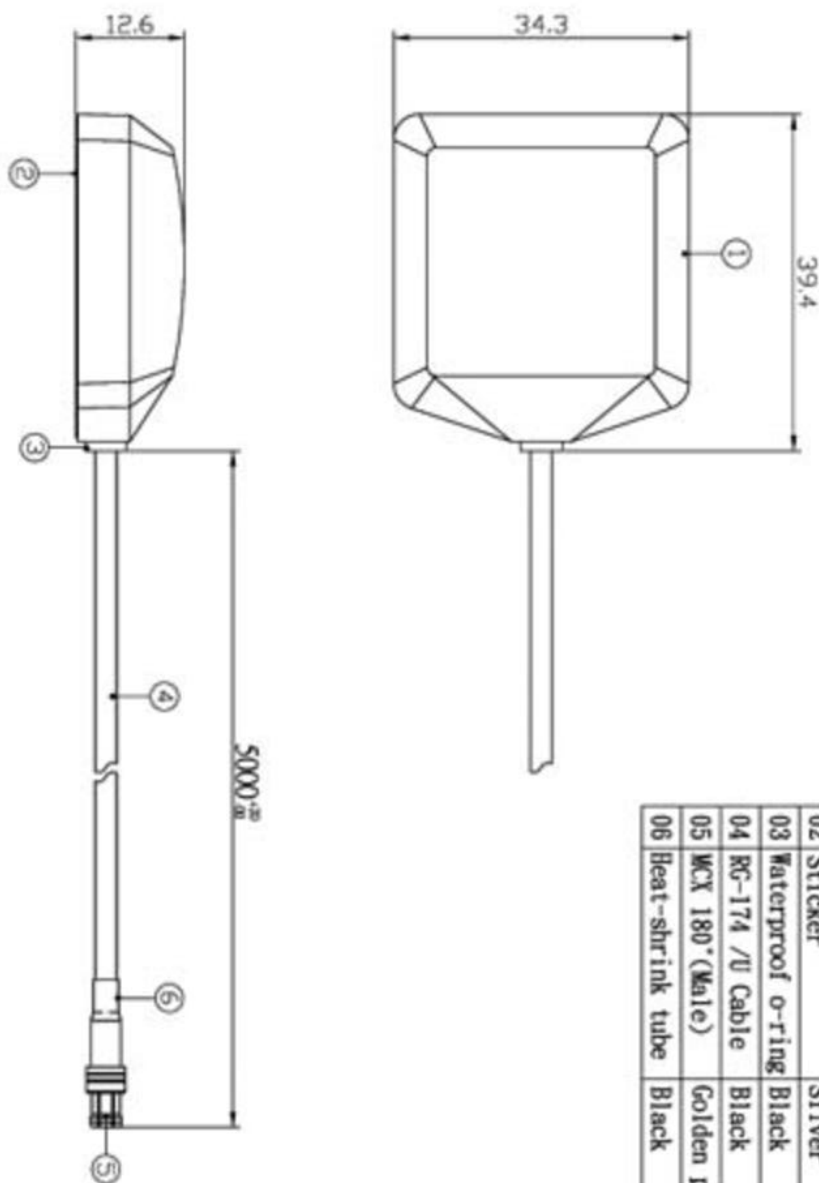
ERF4011, GPS antenna, RG174 cable(1m), SMA Male connector

Impedance



ERF4011, GPS antenna, RG174 cable(1m), SMA Male connector

Dimensions



NO.	NAME	FINISH	Q.TY
01	Top cap	Black	01
02	Sticker	Silver	01
03	Waterproof o-ring	Black	01
04	RG-174 /U Cable	Black	01
05	MCX 180° (Male)	Golden plating	01
06	Heat-shrink tube	Black	01

ERF4011, GPS antenna, RG174 cable(1m), SMA Male connector

Different type of SMA connectors



SMA Male



SMA Female



RP-SMA Male



RP-SMA Female

The ERF4011 antenna uses the SMA Male connector.

About easyRF

easyRF is supplier and manufacturer of wireless communication solutions with an easy-to-use approach, targeting different applications and markets. The products are standard off-the-shelf products, but customization of the products is possible.

easyRF is successful in the a wide range of markets, such as: industrial, agriculture, security, building automation.

Ordering information

Please check www.easyrf.eu for distributors in your area or contact us at info@easyrf.eu for more information. Other frequencies are available on request.

Technical support

For all product questions please contact us via info@easyrf.eu