

ERF4029, 433MHz Antenna, SMA Male connector

Features

Electrical Properties

Parameter:	Description
Frequency Band:	433 MHz
Nominal Impedance:	50 Ω
Polarization:	Vertical
V.S.W.R:	< 3.0



Mechanical Properties

Parameter:	Description
Antenna Type:	External Antenna
Mounting Method:	Screw Type
Connector Type:	SMA Male
Antenna Dimensions:	67.2 mm \pm 2
Cable Length:	250 mm \pm 5
Cable Type:	RG-58 A/U
Operating Temperature Range:	-20°C~+60°C
Storage Temperature Range:	-30°C~+70°C

Typical applications

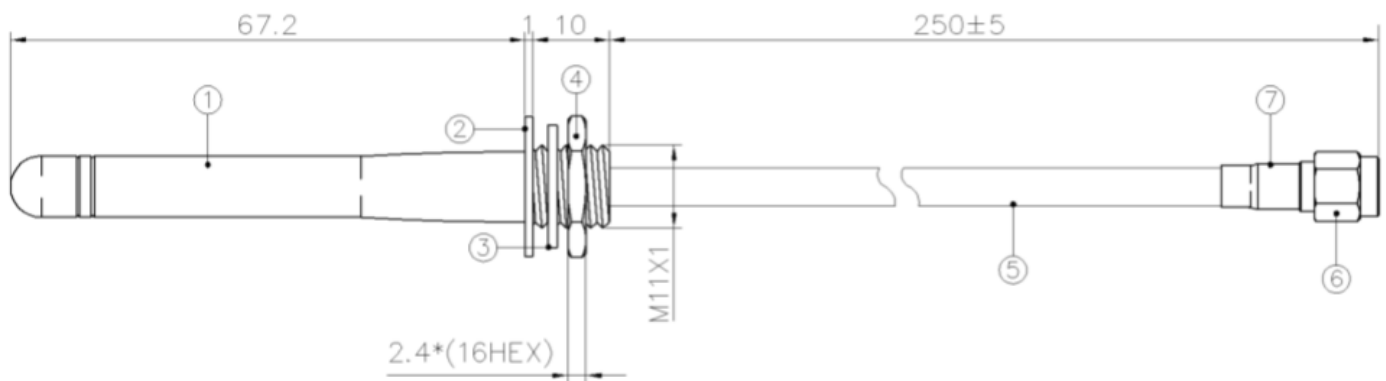
- M2M
- 433 MHz
- Wireless communication

Description

The ERF4029 is a black 433MHz antenna with 25cm cable and SMA male connector. The antenna can be used for applications such as, M2M, 433MHz and wireless communication.

ERF4029, 433MHz Antenna, SMA Male connector

Dimensions



*Unit: mm

Different type of SMA connectors



The ERF4029 antenna uses the SMA male connector.

About easyRF

easyRF is supplier and manufacturer of wireless communication solutions with an easy-to-use approach, targeting different applications and markets. The products are standard off-the-shelf products, but customization of the products is possible.

easyRF is successful in the a wide range of markets, such as: industrial, agriculture, security, building automation.

Ordering information

Please check www.easyrf.eu for distributors in your area or contact us at info@easyrf.eu for more information. Other frequencies are available on request.

Technical support

For all product questions please contact us via info@easyrf.eu