

ERF4071, 868 MHz antenna, U.fl connector

Features

Electrical Properties

Parameter:	Description
Frequency Band:	868 MHz / 1800 ~ 2100 MHz / 2400 MHz
Nominal Impedance:	50 Ω
Polarization:	Vertical
V.S.W.R:	< 3.0



Mechanical Properties

Parameter:	Description
Antenna Type:	External Antenna
Connector Type:	U.fl
Antenna Dimensions:	89 mm ± 5
Cable length:	20 cm ± 0.2
Antenna Color:	Black
Operating Temperature Range:	-30°C~+70°C
Storage Temperature Range:	-30°C~+70°C

Typical applications

- M2M
- GSM
- Bluetooth
- Wifi
- Zigbee

Description

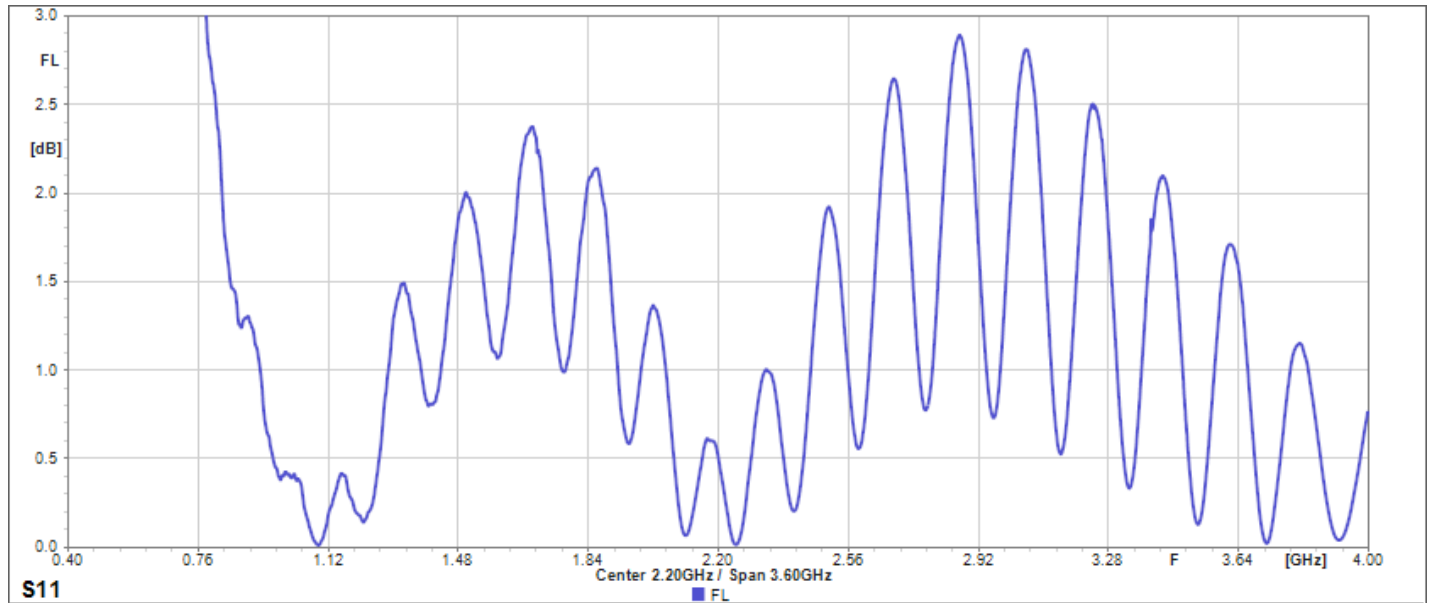
The ERF4071 antenna is a black 868 MHz antenna with a U.FL connector. The antenna can also be used in the frequency band of 1800 ~ 2100 MHz and 2400 MHz.

The antenna can be used for applications such as, M2M, GSM, Wifi and Zigbee.

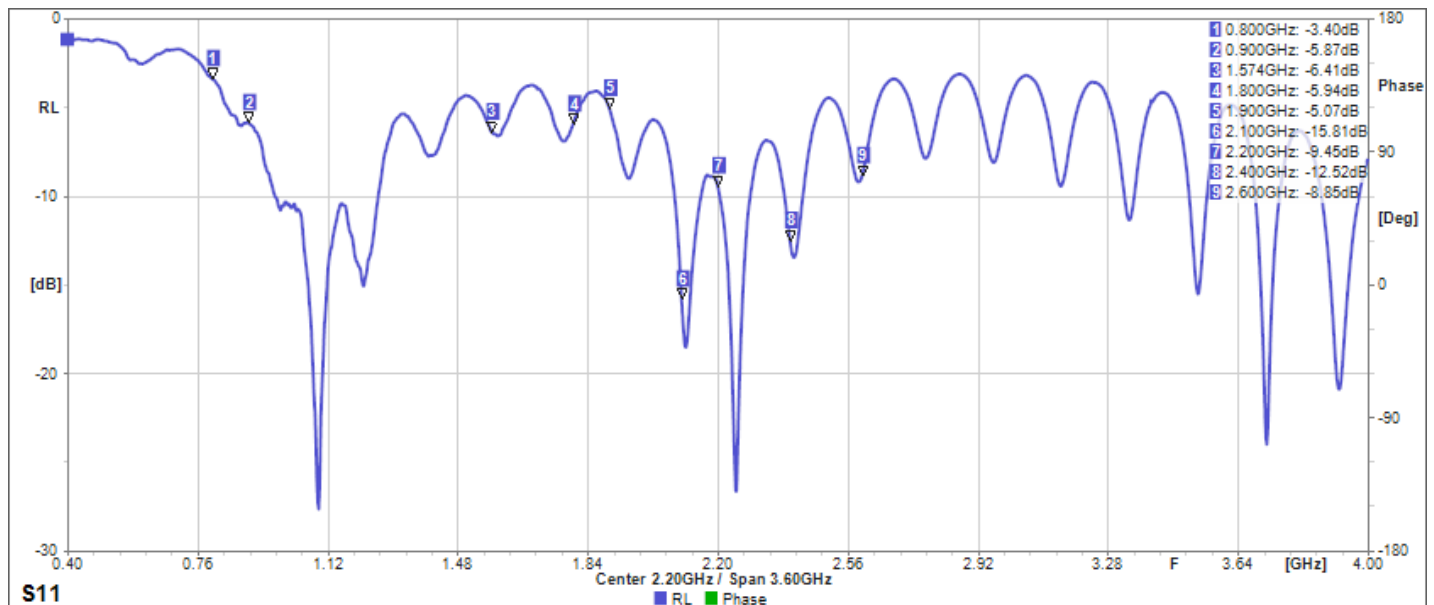
ERF4071, 868 MHz antenna, U.fl connector

Antenna Properties

Return Loss

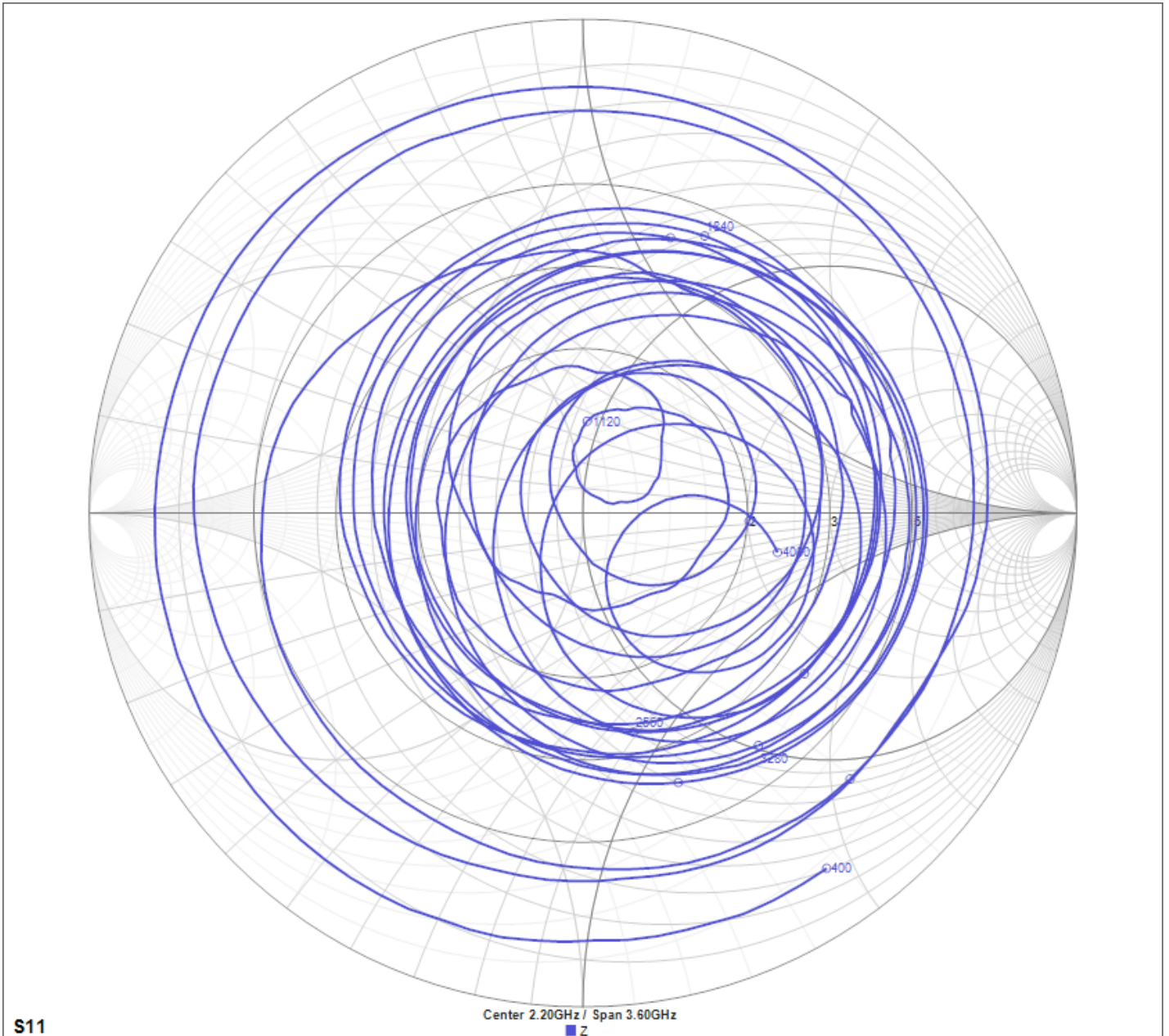


Forward Loss



ERF4071, 868 MHz antenna, U.fl connector

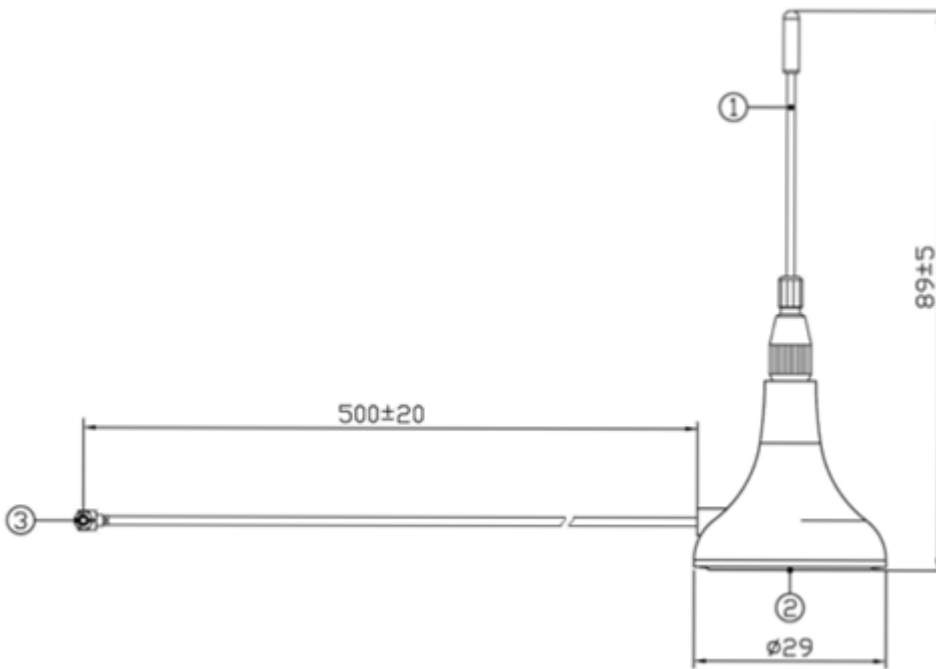
Impedance



ERF4071, 868 MHz antenna, U.fl connector

Dimensions

*The ERF4071 uses a 20 cm cable



Unit: mm

Connector

The ERF4071 uses an U.fl connector.

About easyRF

easyRF is supplier and manufacturer of wireless communication solutions with an easy-to-use approach, targeting different applications and markets. The products are standard off-the-shelf products, but customization of the products is possible.

easyRF is successful in the a wide range of markets, such as: industrial, agriculture, security, building automation.

Ordering information

Please check www.easyrf.eu for distributors in your area or contact us at info@easyrf.eu for more information. Other frequencies are available on request.

Technical support

For all product questions please contact us via info@easyrf.eu