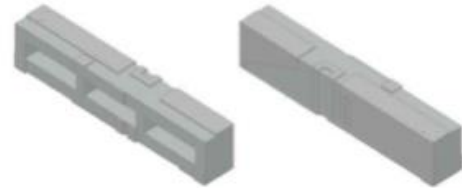


ERF4078, UMTS SMD antenna

Features

Electrical Properties Parameter:	Description
frequency Band:	824~960 MHz / 1700 ~ 2170 MHz
Nominal Impedance:	50 Ω
Polarization:	Linear
V.S.W.R:	< 2.5
Gain:	1.3 dBi @824-960MHz 2.3 dBi @1700-2170MHz



Mechanical Properties

Parameter:	Description
Antenna Type:	Internal antenna
Connector Type:	SMD
PCB Dimensions:	35*5 mm \pm 0.2
Operating Temperature Range:	-40°C~+105°C
Storage Temperature Range:	-40°C~+85°C

Typical applications

- GSM
- GPRS
- M2M
- UMTS
- NB-IoT & CAT-M

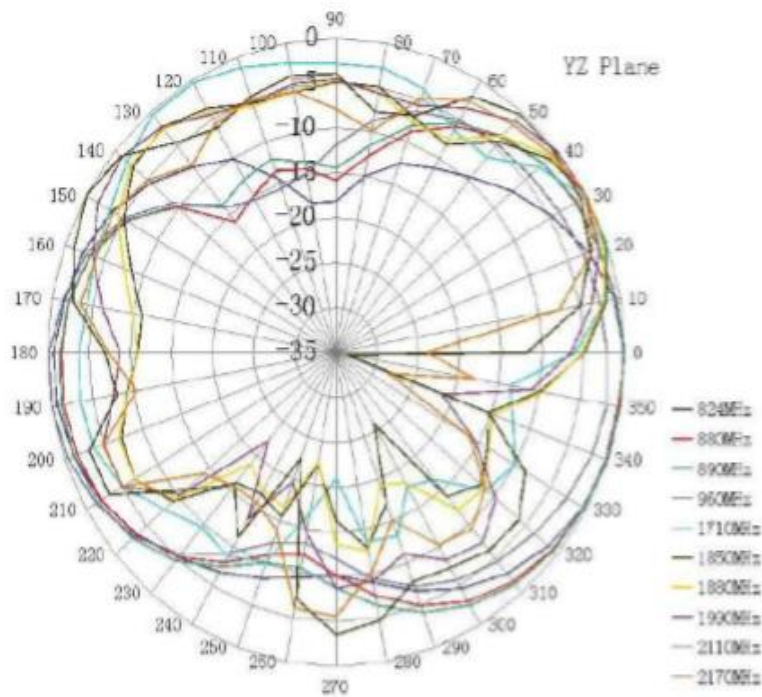
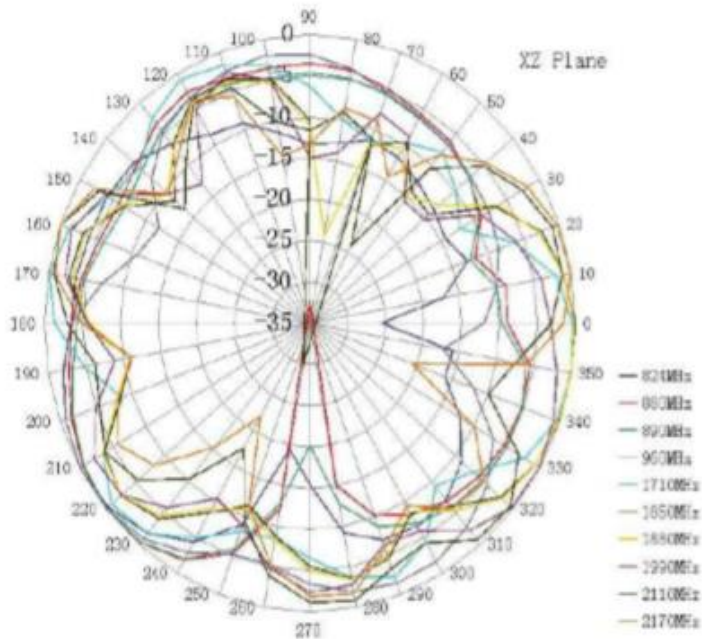
Description

The ERF4078 antenna is an internal UMTS SMD antenna. The antenna requires a ground plane of 40 x 95 mm. also it is recommended to use a matching filter to tune the performance of the antenna.

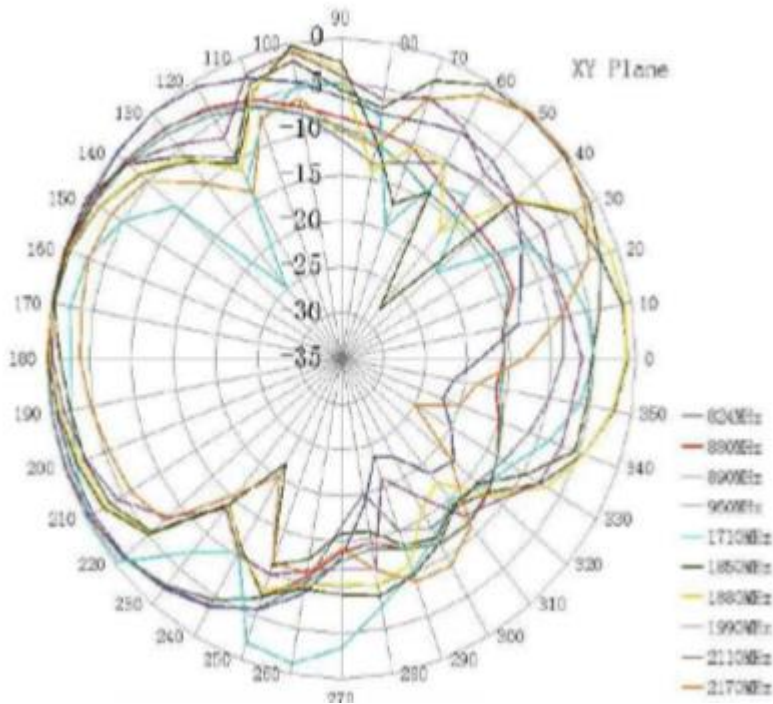
The antenna can be used for applications such as, GSM , M2M, UMTS, NB-IoT & CAT-M.

ERF4078, UMTS SMD antenna

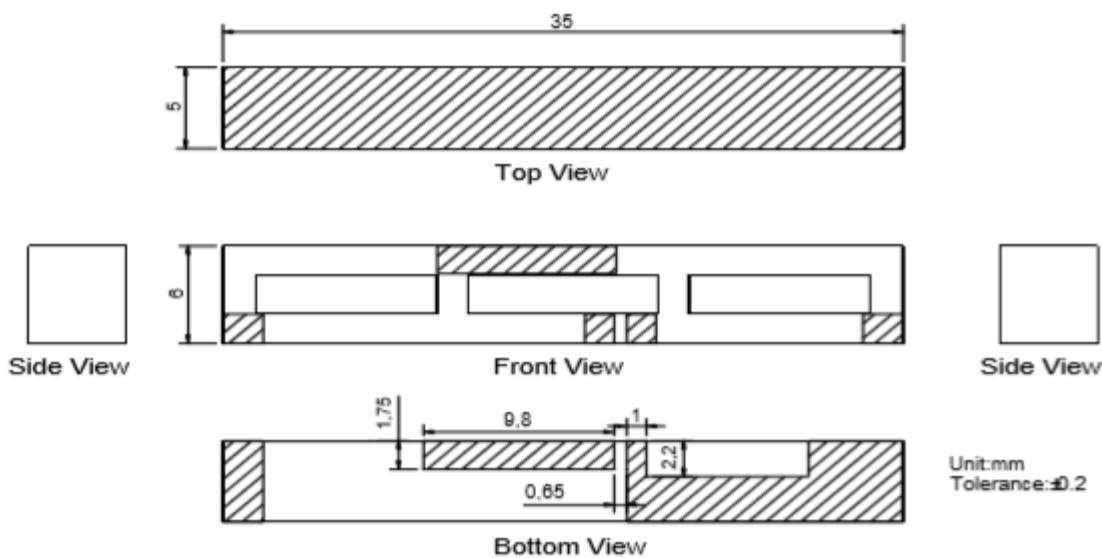
Antenna Properties



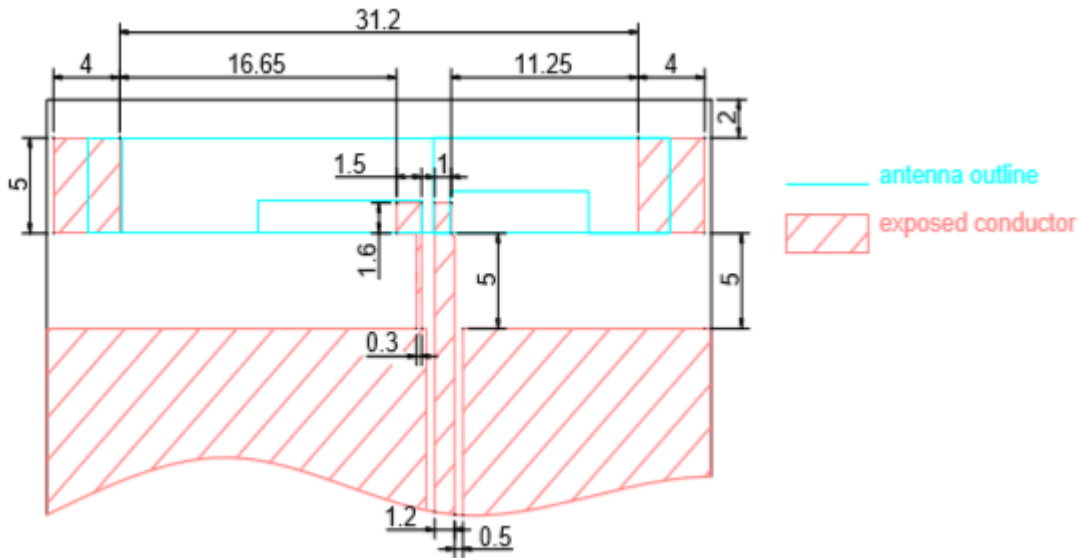
ERF4078, UMTS SMD antenna



Dimensions



Recommended PCB Layout



About easyRF

easyRF is supplier and manufacturer of wireless communication solutions with an easy-to-use approach, targeting different applications and markets. The products are standard off-the-shelf products, but customization of the products is possible.

easyRF is successful in the a wide range of markets, such as: industrial, agriculture, security, building automation.

Ordering information

Please check www.easyrf.eu for distributors in your area or contact us at info@easyrf.eu for more information. Other frequencies are available on request.

Technical support

For all product questions please contact us via info@easyrf.eu